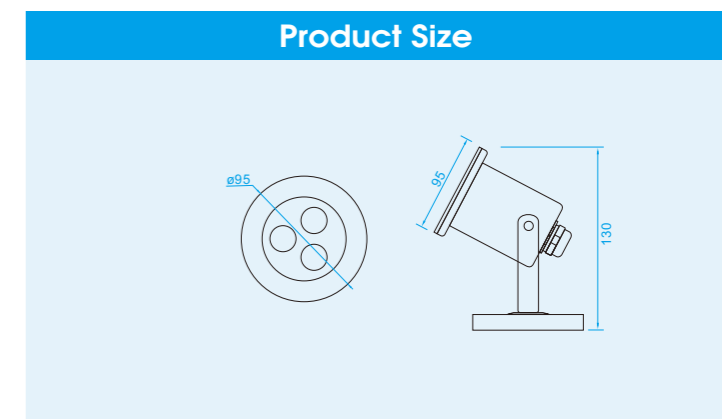


### Specification

<b>Model No.:</b>	RS-UW3X-B(88115)
<b>Front cover &amp; Housing:</b>	Stainless steel 304
<b>Dimensions:</b>	D85*H125mm
<b>Tempered Glass:</b>	5mm thickness
<b>LED chip:</b>	Epistar
<b>LED Q'ty:</b>	3pcs 1W LED
<b>Cable gland:</b>	Nickel plated brass PG9
<b>Driver:</b>	Constant current driver
<b>Lens:</b>	Clear, Bead, Frosted
<b>Beam Angle Options:</b>	10° 30° 45° 60° 90°
<b>Power Cable:</b>	2*1.0mm <sup>2</sup> / 4*0.75mm <sup>2</sup> / 2*1.5*3*0.5mm <sup>2</sup> VDE rubber cable
<b>Protection Class:</b>	IP68
<b>Environment:</b>	Dry / Submerged
<b>Mounting Hardware:</b>	Surface Mounted System
<b>Net Weight:</b>	0.95kgs with 1.5m cable
<b>Lifetime:</b>	>50000H

### Order information

Item code	Color	Light source(w)	Line Way	Input Voltage (v)	Operating current (mA)	Consumption (w)	Luminous flux (lm)
88115.031.01	2700-3000K	3*1	V+/V-	AC/DC12-24	250 / 125	3	270
88115.031.02	4000-4500K	3*1	V+/V-	AC/DC12-24	250 / 125	3	285
88115.031.03	5000-5500K	3*1	V+/V-	AC/DC12-24	250 / 125	3	300
88115.031.04	6000-6500K	3*1	V+/V-	AC/DC12-24	250 / 125	3	300
88115.031.05	Red	3*1	V+/V-	AC/DC12-24	250 / 125	3	75
88115.031.06	Green	3*1	V+/V-	AC/DC12-24	250 / 125	3	180
88115.031.07	Blue	3*1	V+/V-	AC/DC12-24	250 / 125	3	90
88115.031.08	Yellow	3*1	V+/V-	AC/DC12-24	250 / 125	3	210
88115.031.09	RGB-DMX512 (3 channel)	3*1	V+/V- / D+ / D- / GND	DC12-24	R: 83 / 41 G: 83 / 41 B: 83 / 41	R: 1 G: 1 B: 1	R: 25 G: 60 B: 30
88115.031.10	Auto changing color	3*1	V+/V-	AC12-24	R: 83 / 41 G: 83 / 41 B: 83 / 41	R: 1 G: 1 B: 1	R: 25 G: 60 B: 30
88115.031.12	RGBV+ (build-in CC driver)	3*1	R/G/B/V+	DC12-24	R: 83 / 41 G: 83 / 41 B: 83 / 41	R: 1 G: 1 B: 1	R: 25 G: 60 B: 30



### Specification

<b>Model No.:</b>	RS-UW3X4095(61015)
<b>Front cover &amp; Housing:</b>	Stainless steel 304
<b>Dimensions:</b>	D95*H130mm
<b>Tempered Glass:</b>	5mm thickness
<b>LED chip:</b>	Epistar
<b>LED Q'ty:</b>	3pcs 1W LED
<b>Cable gland:</b>	Nickel plated brass PG9
<b>Driver:</b>	Constant current driver
<b>Lens:</b>	Clear, Bead, Frosted
<b>Beam Angle Options:</b>	10° 30° 45° 60° 90°
<b>Power Cable:</b>	2*1.0mm <sup>2</sup> / 4*0.75mm <sup>2</sup> / 2*1.5*3*0.5mm <sup>2</sup> VDE rubber cable
<b>Protection Class:</b>	IP68
<b>Environment:</b>	Dry / Submerged
<b>Mounting Hardware:</b>	Surface Mounted System
<b>Net Weight:</b>	1.05kgs with 1.5m cable
<b>Lifetime:</b>	>50000H

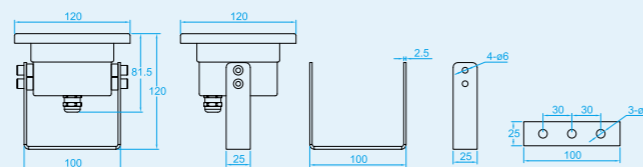
### Order information

Item code	Color	Light source(w)	Line Way	Input Voltage (v)	Operating current (mA)	Consumption (w)	Luminous flux (lm)
61015.031.01	2700-3000K	3*1	V+/V-	AC12, DC12-24	250 / 125	3	270
61015.031.02	4000-4500K	3*1	V+/V-	AC12, DC12-24	250 / 125	3	285
61015.031.03	5000-5500K	3*1	V+/V-	AC12, DC12-24	250 / 125	3	300
61015.031.04	6000-6500K	3*1	V+/V-	AC12, DC12-24	250 / 125	3	300
61015.031.05	Red	3*1	V+/V-	AC12, DC12-24	166 / 83	2	75
61015.031.06	Green	3*1	V+/V-	AC12, DC12-24	250 / 125	3	180
61015.031.07	Blue	3*1	V+/V-	AC12, DC12-24	250 / 125	3	90
61015.031.08	Yellow	3*1	V+/V-	AC12, DC12-24	250 / 125	3	210
61015.031.09	RGB-DMX512 (3 channel)	3*1	V+/V- / D+ / D- / GND	DC12-24	R: 83 / 41 G: 83 / 41 B: 83 / 41	R: 1 G: 1 B: 1	R: 25 G: 60 B: 30
61015.031.10	Auto changing color	3*1	V+/V-	AC12-24	R: 83 / 41 G: 83 / 41 B: 83 / 41	R: 1 G: 1 B: 1	R: 25 G: 60 B: 30
61015.031.12	RGBV+ (build-in CC driver)	3*1	R/G/B/V+	DC12-24	R: 83 / 41 G: 83 / 41 B: 83 / 41	R: 1 G: 1 B: 1	R: 25 G: 60 B: 30





Product Size



Specification

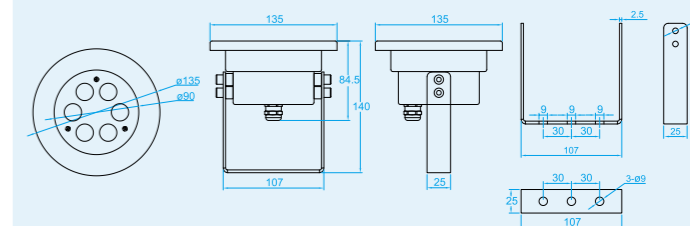
<b>Model No.:</b>	RS-UW6X4120U(61052)
<b>Front cover &amp; Housing:</b>	Stainless steel 304
<b>Dimensions:</b>	D120*H120mm
<b>Tempered Glass:</b>	5mm thickness
<b>LED chip:</b>	Epistar
<b>LED Q'ty:</b>	6pcs 1W LED / 4pcs 3in1 LED / 3pcs 4in1 LED
<b>Cable gland:</b>	Nickel plated brass PG9
<b>Driver:</b>	Constant current driver
<b>Lens:</b>	Clear, Bead, Frosted
<b>Beam Angle Options:</b>	10° 30° 45° 60° 90°
<b>Power Cable:</b>	2*1.0mm <sup>2</sup> / 4*0.75mm <sup>2</sup> / 2*1.5*3*0.5mm <sup>2</sup> VDE rubber cable
<b>Protection Class:</b>	IP68
<b>Environment:</b>	Dry / Submerged
<b>Mounting Hardware:</b>	Surface Mounted System
<b>Net Weight:</b>	1.05kgs with 1.5m cable
<b>Lifetime:</b>	>50000H

Order information

Item code	Color	Light source(w)	Line Way	Input Voltage (v)	Operating current (mA)	Consumption (w)	Luminous flux (lm)
61052.061.01	2700-3000K	6*1	V+/V-	AC/DC12-24	500 / 250	6	540
61052.061.02	4000-4500K	6*1	V+/V-	AC/DC12-24	500 / 250	6	570
61052.061.03	5000-5500K	6*1	V+/V-	AC/DC12-24	500 / 250	6	600
61052.061.04	6000-6500K	6*1	V+/V-	AC/DC12-24	500 / 250	6	600
61052.061.05	Red	6*1	V+/V-	AC/DC12-24	500 / 250	6	150
61052.061.06	Green	6*1	V+/V-	AC/DC12-24	500 / 250	6	360
61052.061.07	Blue	6*1	V+/V-	AC/DC12-24	500 / 250	6	180
61052.061.08	Yellow	6*1	V+/V-	AC/DC12-24	500 / 250	6	420
61052.061.09	RGB-DMX512 (3 channel)	6*1	V+/V- /D+/D-/GND	AC/DC12-24	R: 166 / 83 B: 166 / 83 G: 166 / 83	R: 2 B: 2 G: 2	R: 50 B: 60 G: 120
61052.061.10	Auto changing color	6*1	V+/V-	AC12-24	R: 166 / 83 B: 166 / 83 G: 166 / 83	R: 2 B: 2 G: 2	R: 50 B: 60 G: 120
61052.061.12	RGBV+ (build-in CC driver)	6*1	R/G/B/V+	DC12-24	R: 83 / 166 B: 83 / 166 G: 83 / 166	R: 2 B: 2 G: 2	R: 50 B: 60 G: 120
61052.043.13	RGB-DMX512 (3 channel)	4*3in1	V+/V- /D+/D-/GND	AC/DC12-24	R: 250 / 125 B: 250 / 125 G: 250 / 125	R: 3 B: 3 G: 3	R: 75 B: 90 G: 180
61052.034.14	RGBW-DMX512 (4 channel)	3*4in1	V+/V- /D+/D-/GND	AC/DC12-24	R: 250 / 125 B: 250 / 125 W: 250 / 125	R: 3 B: 3 W: 3	R: 75 B: 90 W: 270



Product Size



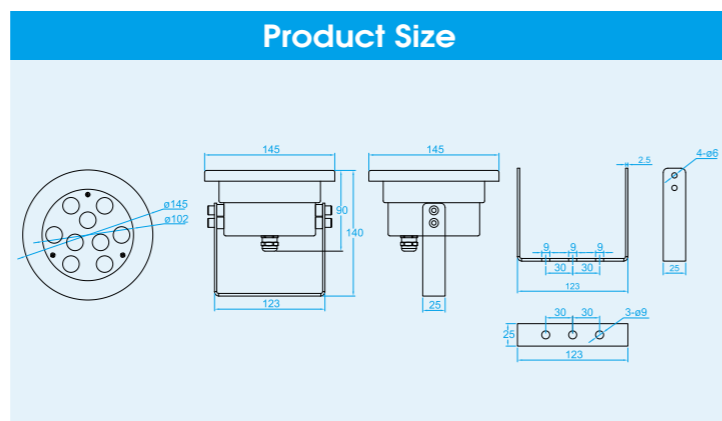
Specification

<b>Model No.:</b>	RS-UW6X4135U(61053)
<b>Front cover &amp; Housing:</b>	Stainless steel 304
<b>Dimensions:</b>	D135*H140mm
<b>Tempered Glass:</b>	5mm thickness
<b>LED chip:</b>	Epistar
<b>LED Q'ty:</b>	6pcs 1W LED / 6pcs 3W LED / 6pcs 3in1 LED
<b>Cable gland:</b>	Nickel plated brass PG9
<b>Driver:</b>	Constant current driver
<b>Lens:</b>	Clear, Bead, Frosted
<b>Beam Angle Options:</b>	10° 30° 45° 60° 90°
<b>Power Cable:</b>	2*1.0mm <sup>2</sup> / 4*0.75mm <sup>2</sup> / 2*1.5*3*0.5mm <sup>2</sup> VDE rubber cable
<b>Protection Class:</b>	IP68
<b>Environment:</b>	Dry / Submerged
<b>Mounting Hardware:</b>	Surface Mounted System
<b>Net Weight:</b>	1.3kgs with 1.5m cable
<b>Lifetime:</b>	>50000H

Order information

Item code	Color	Light source(w)	Line Way	Input Voltage (v)	Operating current (mA)	Consumption (w)	Luminous flux (lm)
61053.061.01	2700-3000K	6*1	V+/V-	AC/DC12-24	500 / 250	6	540
61053.061.02	4000-4500K	6*1	V+/V-	AC/DC12-24	500 / 250	6	570
61053.061.03	5000-5500K	6*1	V+/V-	AC/DC12-24	500 / 250	6	600
61053.061.04	6000-6500K	6*1	V+/V-	AC/DC12-24	500 / 250	6	600
61053.061.05	Red	6*1	V+/V-	AC/DC12-24	500 / 250	6	150
61053.061.06	Green	6*1	V+/V-	AC/DC12-24	500 / 250	6	360
61053.061.07	Blue	6*1	V+/V-	AC/DC12-24	500 / 250	6	180
61053.061.08	Yellow	6*1	V+/V-	AC/DC12-24	500 / 250	6	420
61053.063.09	RGB-DMX512 (3 channel)	6*3	V+/V- /D+/D-/GND	AC/DC12-24	R: 333 / 166 B: 500 / 250 G: 500 / 250	R: 4 B: 6 G: 6	R: 70 B: 80 G: 180
61053.063.10	Auto changing color	6*3	V+/V-	AC12-24	R: 333 / 166 B: 500 / 250 G: 500 / 250	R: 4 B: 6 G: 6	R: 70 B: 80 G: 180
61053.063.12	RGBV+ (build-in CC driver)	6*3	R/G/B/V+	DC12-24	R: 333 / 166 B: 500 / 250 G: 500 / 250	R: 4 B: 6 G: 6	R: 70 B: 80 G: 180
61053.063.13	RGB-DMX512 (3 channel)	6*3in1	V+/V- /D+/D-/GND	AC/DC12-24	R: 500 / 250 B: 500 / 250 G: 500 / 250	R: 6 B: 6 G: 6	R: 150 B: 180 G: 360



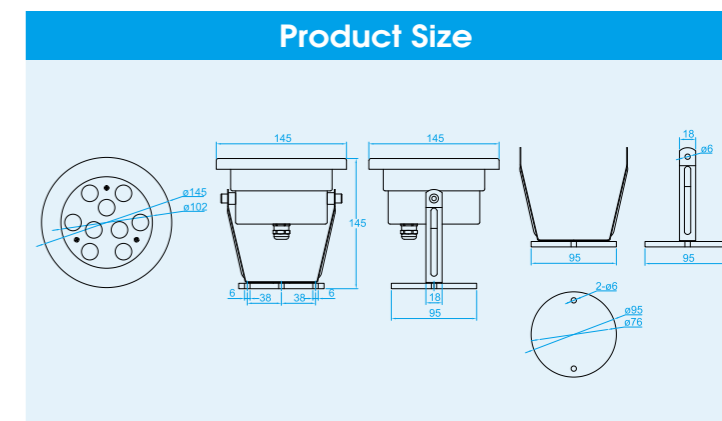


### Specification

<b>Model No.:</b>	RS-UW9X4145U(61062)
<b>Front cover &amp; Housing:</b>	Stainless steel 304
<b>Dimensions:</b>	D145*H140mm
<b>Tempered Glass:</b>	5mm thickness
<b>LED chip:</b>	Epistar
<b>LED Q'ty:</b>	9pcs 1W LED / 9pcs 3W LED / 9pcs 3in1 LED / 6pcs 4in1 LED
<b>Cable gland:</b>	Nickel plated brass PG9
<b>Driver:</b>	Constant current driver
<b>Lens:</b>	Clear, Bead, Frosted
<b>Beam Angle Options:</b>	10° 30° 45° 60° 90°
<b>Power Cable:</b>	2*1.0mm <sup>2</sup> / 4*0.75mm <sup>2</sup> / 2*1.5*3*0.5mm <sup>2</sup> VDE rubber cable
<b>Protection Class:</b>	IP68
<b>Environment:</b>	Dry / Submerged
<b>Mounting Hardware:</b>	Surface Mounted System
<b>Net Weight:</b>	1.6kgs with 1.5m cable
<b>Lifetime:</b>	>50000H

### Order information

Item code	Color	Light source(w)	Line Way	Input Voltage (v)	Operating current (mA)	Consumption (w)	Luminous flux (lm)
61062.091.01	2700-3000K	9*1	V+/V-	AC/DC12-24	750 / 375	9	810
61062.091.02	4000-4500K	9*1	V+/V-	AC/DC12-24	750 / 375	9	855
61062.091.03	5000-5500K	9*1	V+/V-	AC/DC12-24	750 / 375	9	900
61062.091.04	6000-6500K	9*1	V+/V-	AC/DC12-24	750 / 375	9	900
61062.091.05	Red	9*1	V+/V-	AC/DC12-24	750 / 375	9	225
61062.091.06	Green	9*1	V+/V-	AC/DC12-24	750 / 375	9	540
61062.091.07	Blue	9*1	V+/V-	AC/DC12-24	750 / 375	9	270
61062.091.08	Yellow	9*1	V+/V-	AC/DC12-24	750 / 375	9	630
61062.093.09	RGB-DMX512 (3 channel)	9*3	V+/V- / D+/D- / GND	AC/DC12-24	R: 500 / 250 B: 750 / 375 G: 750 / 375	R: 6 B: 9 G: 9	R: 105 B: 120 G: 270
61062.093.10	Auto changing color	9*3	V+/V-	AC12-24	R: 500 / 250 B: 750 / 375 G: 750 / 375	R: 6 B: 9 G: 9	R: 105 B: 120 G: 270
61062.093.12	RGBV+ (build-in CC driver)	9*3	R/G/B/V+	DC12-24	R: 500 / 250 B: 750 / 375 G: 750 / 375	R: 6 B: 9 G: 9	R: 105 B: 120 G: 270
61062.093.13	RGB-DMX512 (3 channel)	9*3in1	V+/V- / D+/D- / GND	AC/DC12-24	R: 700 / 375 B: 700 / 375 G: 700 / 375	R: 9 B: 9 G: 9	R: 225 B: 270 G: 540
61062.064.14	RGBW-DMX512 (4 channel)	6*4in1	V+/V- / D+/D- / GND	AC/DC12-24	R: 500 / 250 B: 500 / 250 W: 500 / 250 G: 500 / 250	R: 6 B: 6 W: 6 G: 6	R: 150 B: 180 W: 540 G: 360



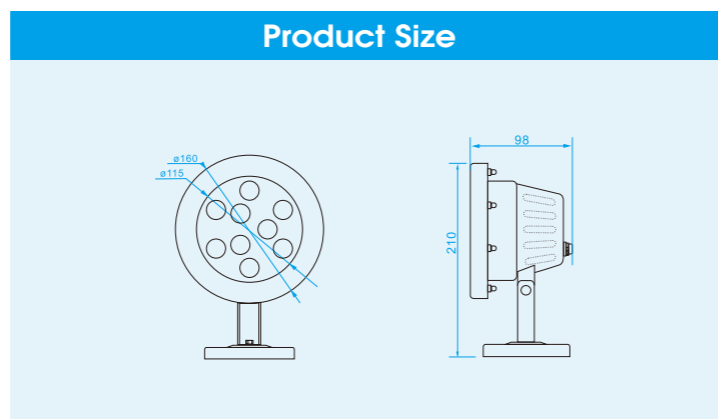
### Specification

<b>Model No.:</b>	RS-UW9X4145(61063)
<b>Front cover &amp; Housing:</b>	Stainless steel 304
<b>Dimensions:</b>	D145*H145mm
<b>Tempered Glass:</b>	5mm thickness
<b>LED chip:</b>	Epistar
<b>LED Q'ty:</b>	9pcs 1W LED / 9pcs 3W LED / 9pcs 3in1 LED / 6pcs 4in1 LED
<b>Cable gland:</b>	Nickel plated brass PG9
<b>Driver:</b>	Constant current driver
<b>Lens:</b>	Clear, Bead, Frosted
<b>Beam Angle Options:</b>	10° 30° 45° 60° 90°
<b>Power Cable:</b>	2*1.0mm <sup>2</sup> / 4*0.75mm <sup>2</sup> / 2*1.5*3*0.5mm <sup>2</sup> VDE rubber cable
<b>Protection Class:</b>	IP68
<b>Environment:</b>	Dry / Submerged
<b>Mounting Hardware:</b>	Surface Mounted System
<b>Net Weight:</b>	1.4kgs with 1.5m cable
<b>Lifetime:</b>	>50000H

### Order information

Item code	Color	Light source(w)	Line Way	Input Voltage (v)	Operating current (mA)	Consumption (w)	Luminous flux (lm)
61063.091.01	2700-3000K	9*1	V+/V-	AC/DC12-24	750 / 375	9	810
61063.091.02	4000-4500K	9*1	V+/V-	AC/DC12-24	750 / 375	9	855
61063.091.03	5000-5500K	9*1	V+/V-	AC/DC12-24	750 / 375	9	900
61063.091.04	6000-6500K	9*1	V+/V-	AC/DC12-24	750 / 375	9	900
61063.091.05	Red	9*1	V+/V-	AC/DC12-24	750 / 375	9	225
61063.091.06	Green	9*1	V+/V-	AC/DC12-24	750 / 375	9	540
61063.091.07	Blue	9*1	V+/V-	AC/DC12-24	750 / 375	9	270
61063.091.08	Yellow	9*1	V+/V-	AC/DC12-24	750 / 375	9	630
61063.093.09	RGB-DMX512 (3 channel)	9*3	V+/V- / D+/D- / GND	AC/DC12-24	R: 500 / 250 B: 750 / 375 G: 750 / 375	R: 6 B: 9 G: 9	R: 105 B: 120 G: 270
61063.093.10	Auto changing color	9*3	V+/V-	AC12-24	R: 500 / 250 B: 750 / 375 G: 750 / 375	R: 6 B: 9 G: 9	R: 105 B: 120 G: 270
61063.093.12	RGBV+ (build-in CC driver)	9*3	R/G/B/V+	DC12-24	R: 500 / 250 B: 750 / 375 G: 750 / 375	R: 6 B: 9 G: 9	R: 105 B: 120 G: 270
61063.093.13	RGB-DMX512 (3 channel)	9*3in1	V+/V- / D+/D- / GND	AC/DC12-24	R: 700 / 375 B: 700 / 375 G: 700 / 375	R: 9 B: 9 G: 9	R: 225 B: 270 G: 540
61063.064.14	RGBW-DMX512 (4 channel)	6*4in1	V+/V- / D+/D- / GND	AC/DC12-24	R: 500 / 250 B: 500 / 250 W: 500 / 250 G: 500 / 250	R: 6 B: 6 W: 6 G: 6	R: 150 B: 180 W: 540 G: 360



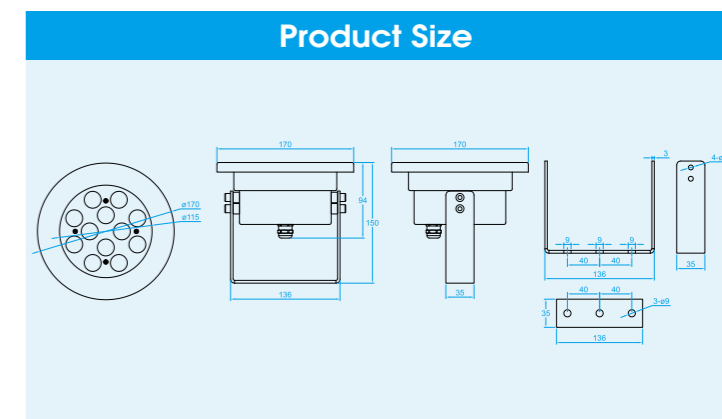


### Specification

<b>Model No.:</b>	RS-UW9X4160-02(61064)
<b>Front cover &amp; Housing:</b>	Stainless steel 304
<b>Dimensions:</b>	D160*H210mm
<b>Tempered Glass:</b>	5mm thickness
<b>LED chip:</b>	Epistar
<b>LED Q'ty:</b>	9pcs 1W LED / 9pcs 3W LED / 9pcs 3in1 LED
<b>Cable gland:</b>	Nickel plated brass PG9
<b>Driver:</b>	Constant current driver
<b>Lens:</b>	Clear, Bead, Frosted
<b>Beam Angle Options:</b>	10° 30° 45° 60° 90°
<b>Power Cable:</b>	2*1.0mm <sup>2</sup> / 4*0.75mm <sup>2</sup> / 2*1.5*3*0.5mm <sup>2</sup> VDE rubber cable
<b>Protection Class:</b>	IP68
<b>Environment:</b>	Dry / Submerged
<b>Mounting Hardware:</b>	Surface Mounted System
<b>Net Weight:</b>	1.55kgs with 1.5m cable
<b>Lifetime:</b>	>50000H

### Order information

Item code	Color	Light source(w)	Line Way	Input Voltage (v)	Operating current (mA)	Consumption (w)	Luminous flux (lm)
61064.091.01	2700-3000K	9*1	V+/V-	AC/DC12-24	750 / 375	9	810
61064.091.02	4000-4500K	9*1	V+/V-	AC/DC12-24	750 / 375	9	855
61064.091.03	5000-5500K	9*1	V+/V-	AC/DC12-24	750 / 375	9	900
61064.091.04	6000-6500K	9*1	V+/V-	AC/DC12-24	750 / 375	9	900
61064.091.05	Red	9*1	V+/V-	AC/DC12-24	750 / 375	9	225
61064.091.06	Green	9*1	V+/V-	AC/DC12-24	750 / 375	9	540
61064.091.07	Blue	9*1	V+/V-	AC/DC12-24	750 / 375	9	270
61064.091.08	Yellow	9*1	V+/V-	AC/DC12-24	750 / 375	9	630
61064.093.09	RGB-DMX512 (3 channel)	9*3	V+/V- /D+/D-/GND	AC/DC12-24	R: 500 / 250 B: 750 / 375	G: 750 / 375 R: 6 B: 9	R: 105 G: 270 B: 120
61064.093.10	Auto changing color	9*3	V+/V-	AC12-24	R: 500 / 250 B: 750 / 375	G: 750 / 375 R: 6 B: 9	R: 105 G: 270 B: 120
61064.093.12	RGBV+ (build-in CC driver)	9*3	R/G/B/V+	DC12-24	R: 500 / 250 B: 750 / 375	G: 750 / 375 R: 6 B: 9	R: 105 G: 270 B: 120
61064.093.13	RGB-DMX512 (3 channel)	9*3in1	V+/V- /D+/D-/GND	AC/DC12-24	R: 700 / 375 B: 700 / 375	G: 700 / 375 R: 9 B: 9	R: 225 G: 540 B: 270



### Specification

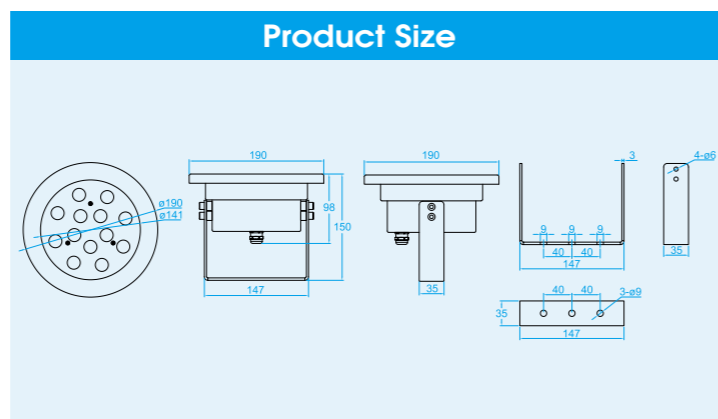
<b>Model No.:</b>	RS-UW12X4170U(61071)
<b>Front cover &amp; Housing:</b>	Stainless steel 304
<b>Dimensions:</b>	D170*H150mm
<b>Tempered Glass:</b>	5mm thickness
<b>LED chip:</b>	Epistar
<b>LED Q'ty:</b>	12pcs 1W LED / 12pcs 3W LED / 12pcs 3in1 LED / 12pcs 4in1 LED
<b>Cable gland:</b>	Nickel plated brass PG9
<b>Driver:</b>	Constant current driver
<b>Lens:</b>	Clear, Bead, Frosted
<b>Beam Angle Options:</b>	10° 30° 45° 60° 90°
<b>Power Cable:</b>	2*1.0mm <sup>2</sup> / 4*0.75mm <sup>2</sup> / 2*1.5*3*0.5mm <sup>2</sup> VDE rubber cable
<b>Protection Class:</b>	IP68
<b>Environment:</b>	Dry / Submerged
<b>Mounting Hardware:</b>	Surface Mounted System
<b>Net Weight:</b>	2.2kgs with 1.5m cable
<b>Lifetime:</b>	>50000H

### Order information

Item code	Color	Light source(w)	Line Way	Input Voltage (v)	Operating current (mA)	Consumption (w)	Luminous flux (lm)
61071.121.01	2700-3000K	12*1	V+/V-	AC/DC12-24	1000 / 500	12	1080
61071.121.02	4000-4500K	12*1	V+/V-	AC/DC12-24	1000 / 500	12	1140
61071.121.03	5000-5500K	12*1	V+/V-	AC/DC12-24	1000 / 500	12	1200
61071.121.04	6000-6500K	12*1	V+/V-	AC/DC12-24	1000 / 500	12	1200
61071.121.05	Red	12*1	V+/V-	AC/DC12-24	1000 / 500	12	300
61071.121.06	Green	12*1	V+/V-	AC/DC12-24	1000 / 500	12	720
61071.121.07	Blue	12*1	V+/V-	AC/DC12-24	1000 / 500	12	360
61071.121.08	Yellow	12*1	V+/V-	AC/DC12-24	1000 / 500	12	840
61071.123.09	RGB-DMX512 (3 channel)	12*3	V+/V- /D+/D-/GND	AC/DC12-24	R: 666 / 333 B: 1000 / 500	G: 1000 / 500 R: 8 B: 12	R: 140 G: 360 B: 160
61071.123.10	Auto changing color	12*3	V+/V-	AC12-24	R: 666 / 333 B: 1000 / 500	G: 1000 / 500 R: 8 B: 12	R: 140 G: 360 B: 160
61071.123.12	RGBV+ (build-in CC driver)	12*3	R/G/B/V+	DC12-24	R: 666 / 333 B: 1000 / 500	G: 1000 / 500 R: 8 B: 12	R: 140 G: 360 B: 160
61071.123.13	RGB-DMX512 (3 channel)	12*3in1	V+/V- /D+/D-/GND	AC/DC12-24	R: 1000 / 500 B: 1000 / 500	G: 1000 / 500 R: 12 B: 12	R: 300 G: 720 B: 360
61071.124.14	RGBW-DMX512 (4 channel)	12*4in1	V+/V- /D+/D-/GND	AC/DC12-24	R: 1000 / 500 B: 1000 / 500	G: 1000 / 500 W: 1000 / 500 R: 12 B: 12 W: 12	R: 300 G: 720 B: 360 W: 1080





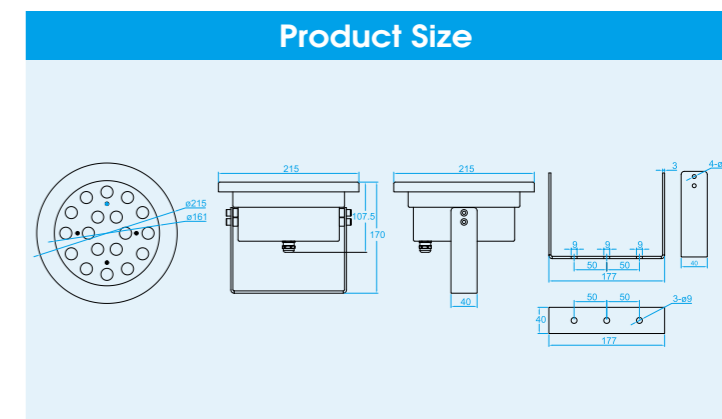


### Specification

<b>Model No.:</b>	RS-UW15X4190U(61072)
<b>Front cover &amp; Housing:</b>	Stainless steel 304
<b>Dimensions:</b>	D190*H150mm
<b>Tempered Glass:</b>	8mm thickness
<b>LED chip:</b>	Epistar
<b>LED Q'ty:</b>	15pcs 1W LED / 15pcs 3W LED / 15pcs 3in1 LED
<b>Cable gland:</b>	Nickel plated brass PG9
<b>Driver:</b>	Constant current driver
<b>Lens:</b>	Clear, Bead, Frosted
<b>Beam Angle Options:</b>	10° 30° 45° 60° 90°
<b>Power Cable:</b>	2*1.0mm <sup>2</sup> / 4*0.75mm <sup>2</sup> / 2*1.5*3*0.5mm <sup>2</sup> VDE rubber cable
<b>Protection Class:</b>	IP68
<b>Environment:</b>	Dry / Submerged
<b>Mounting Hardware:</b>	Surface Mounted System
<b>Net Weight:</b>	2.4kgs with 1.5m cable
<b>Lifetime:</b>	>50000H

### Order information

Item code	Color	Light source(w)	Line Way	Input Voltage (v)	Operating current (mA)	Consumption (w)	Luminous flux (lm)
61072.151.01	2700-3000K	15*1	V+/V-	AC/DC24	625	15	1350
61072.151.02	4000-4500K	15*1	V+/V-	AC/DC24	625	15	1425
61072.151.03	5000-5500K	15*1	V+/V-	AC/DC24	625	15	1500
61072.151.04	6000-6500K	15*1	V+/V-	AC/DC24	625	15	1500
61072.151.05	Red	15*1	V+/V-	AC/DC24	625	15	375
61072.151.06	Green	15*1	V+/V-	AC/DC24	625	15	900
61072.151.07	Blue	15*1	V+/V-	AC/DC24	625	15	450
61072.151.08	Yellow	15*1	V+/V-	AC/DC24	625	15	1350
61072.153.09	RGB-DMX512 (3 channel)	15*3	V+/V-/D+/D-/GND	AC/DC24	R: 416 B: 625 G: 625	R: 10 B: 15 G: 15	R: 175 B: 200 G: 450
61072.153.10	Auto changing color	15*3	V+/V-	AC24	R: 416 B: 625 G: 625	R: 10 B: 15 G: 15	R: 175 B: 200 G: 450
61072.153.12	RGBV+ (build-in CC driver)	15*3	R/G/B/V+	DC24	R: 416 B: 625 G: 625	R: 10 B: 15 G: 15	R: 175 B: 200 G: 450
61072.153.13	RGB-DMX512 (3 channel)	15*3in1	V+/V-/D+/D-/GND	AC/DC24	R: 625 B: 625 G: 625	R: 15 B: 15 G: 15	R: 375 B: 450 G: 900

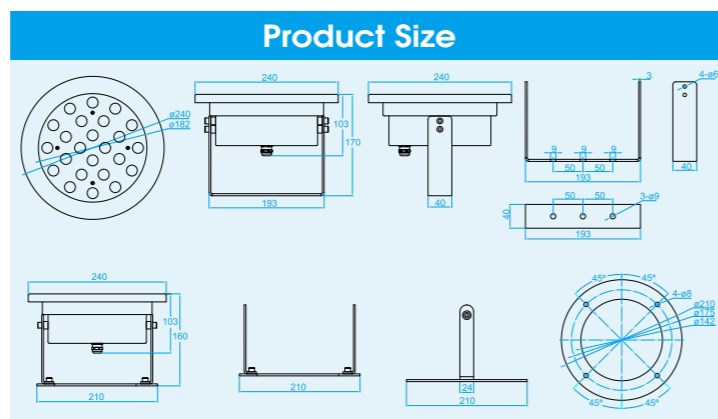


### Specification

<b>Model No.:</b>	RS-UW18X4215U(61081)
<b>Front cover &amp; Housing:</b>	Stainless steel 304
<b>Dimensions:</b>	D215*H170mm
<b>Tempered Glass:</b>	8mm thickness
<b>LED chip:</b>	Epistar
<b>LED Q'ty:</b>	18pcs 1W LED / 18pcs 3W LED / 18pcs 3in1 LED / 18pcs 4in1 LED
<b>Cable gland:</b>	Nickel plated brass PG9
<b>Driver:</b>	Constant current driver
<b>Lens:</b>	Clear, Bead, Frosted
<b>Beam Angle Options:</b>	10° 30° 45° 60° 90°
<b>Power Cable:</b>	2*1.0mm <sup>2</sup> / 4*0.75mm <sup>2</sup> / 2*1.5*3*0.5mm <sup>2</sup> VDE rubber cable
<b>Protection Class:</b>	IP68
<b>Environment:</b>	Dry / Submerged
<b>Mounting Hardware:</b>	Surface Mounted System
<b>Net Weight:</b>	3.0kgs with 1.5m cable
<b>Lifetime:</b>	>50000H

### Order information

Item code	Color	Light source(w)	Line Way	Input Voltage (v)	Operating current (mA)	Consumption (w)	Luminous flux (lm)
61081.181.01	2700-3000K	18*1	V+/V-	AC/DC24	750	18	1620
61081.181.02	4000-4500K	18*1	V+/V-	AC/DC24	750	18	1710
61081.181.03	5000-5500K	18*1	V+/V-	AC/DC24	750	18	1800
61081.181.04	6000-6500K	18*1	V+/V-	AC/DC24	750	18	1800
61081.181.05	Red	18*1	V+/V-	AC/DC24	750	18	450
61081.181.06	Green	18*1	V+/V-	AC/DC24	750	18	1080
61081.181.07	Blue	18*1	V+/V-	AC/DC24	750	18	540
61081.181.08	Yellow	18*1	V+/V-	AC/DC24	750	18	1260
61081.183.09	RGB-DMX512 (3 channel)	18*3	V+/V-/D+/D-/GND	AC/DC24	R: 500 B: 750 G: 750	R: 12 B: 18 G: 18	R: 210 B: 240 G: 540
61081.183.10	Auto changing color	18*3	V+/V-	AC24	R: 500 B: 750 G: 750	R: 12 B: 18 G: 18	R: 210 B: 240 G: 540
61081.183.12	RGBV+ (build-in CC driver)	18*3	R/G/B/V+	DC24	R: 500 B: 750 G: 750	R: 12 B: 18 G: 18	R: 210 B: 240 G: 540
61081.183.13	RGB-DMX512 (3 channel)	18*3in1	V+/V-/D+/D-/GND	AC/DC24	R: 750 B: 750 G: 750	R: 18 B: 18 G: 18	R: 450 B: 540 G: 1080
61081.184.14	RGBW-DMX512 (4 channel)	18*4in1	V+/V-/D+/D-/GND	AC/DC24	R: 750 B: 750 W: 750 G: 750	R: 18 B: 18 W: 18 G: 18	R: 450 B: 540 G: 1080 W: 1620

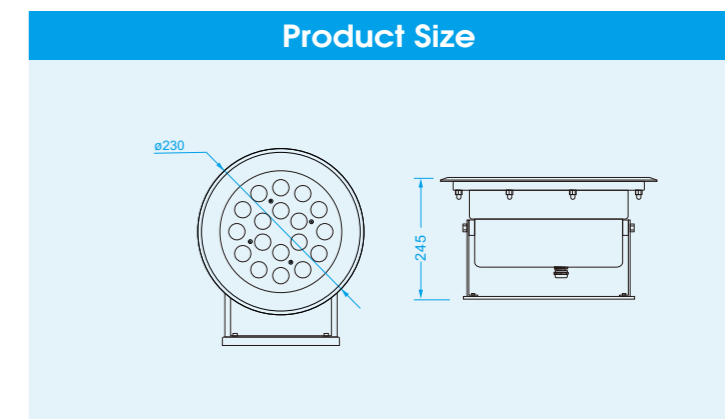


### Specification

<b>Model No.:</b>	RS-UW24X4240U(61091)
<b>Front cover &amp; Housing:</b>	Stainless steel 304
<b>Dimensions:</b>	D240*H170mm
<b>Tempered Glass:</b>	8mm thickness
<b>LED chip:</b>	Epistar
<b>LED Q'ty:</b>	24pcs 1W LED / 24pcs 3W LED / 24pcs 3in1 LED / 24pcs 4in1 LED
<b>Cable gland:</b>	Nickel plated brass PG9
<b>Driver:</b>	Constant current driver
<b>Lens:</b>	Clear, Bead, Frosted
<b>Beam Angle Options:</b>	10° 30° 45° 60° 90°
<b>Power Cable:</b>	2*1.0mm <sup>2</sup> / 4*0.75mm <sup>2</sup> / 2*1.5*3*0.5mm <sup>2</sup> VDE rubber cable
<b>Protection Class:</b>	IP68
<b>Environment:</b>	Dry / Submerged
<b>Mounting Hardware:</b>	Surface Mounted System
<b>Net Weight:</b>	3.5kgs with 1.5m cable
<b>Lifetime:</b>	>50000H

### Order information

Item code	Color	Light source(w)	Line Way	Input Voltage (v)	Operating current (mA)	Consumption (w)	Luminous flux (lm)
61082.241.01	2700-3000K	24*1	V+/V-	AC/DC24	1000	24	2160
61082.241.02	4000-4500K	24*1	V+/V-	AC/DC24	1000	24	2280
61082.241.03	5000-5500K	24*1	V+/V-	AC/DC24	1000	24	2400
61082.241.04	6000-6500K	24*1	V+/V-	AC/DC24	1000	24	2400
61082.241.05	Red	24*1	V+/V-	AC/DC24	1000	24	600
61082.241.06	Green	24*1	V+/V-	AC/DC24	1000	24	1440
61082.241.07	Blue	24*1	V+/V-	AC/DC24	1000	24	720
61082.241.08	Yellow	24*1	V+/V-	AC/DC24	1000	24	1680
61082.243.09	RGB-DMX512 (3 channel)	24*3	V+/V-/D+/D-/GND	AC/DC24	R: 666 G: 1000 B: 1000	R: 16 G: 24 B: 24	R: 400 G: 1440 B: 240
61082.243.10	Auto changing color	24*3	V+/V-	AC24	R: 666 G: 1000 B: 1000	R: 16 G: 24 B: 24	R: 400 G: 1440 B: 240
61082.243.12	RGBV+ (build-in CC driver)	24*3	R/G/B/V+	DC24	R: 666 G: 1000 B: 1000	R: 16 G: 24 B: 24	R: 400 G: 1440 B: 720
61082.243.13	RGB-DMX512 (3 channel)	24*3in1	V+/V-/D+/D-/GND	AC/DC24	R: 1000 G: 1000 B: 1000	R: 24 G: 24 B: 24	R: 600 G: 1440 B: 720
61082.244.14	RGBW-DMX512 (4 channel)	24*4in1	V+/V-/D+/D-/GND	AC/DC24	R: 1000 G: 1000 B: 1000 W: 1000	R: 24 G: 24 B: 24 W: 24	R: 600 G: 1440 B: 720 W: 2160



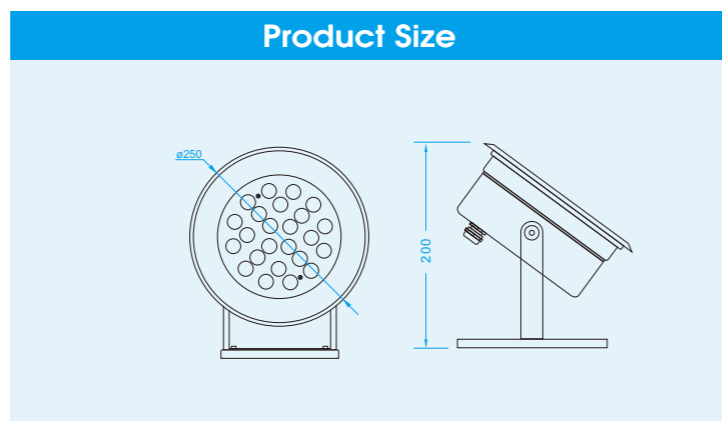
### Specification

<b>Model No.:</b>	RS-UW18X4230(61082)
<b>Front cover &amp; Housing:</b>	Stainless steel 304
<b>Dimensions:</b>	D230*H245mm
<b>Tempered Glass:</b>	8mm thickness
<b>LED chip:</b>	Epistar
<b>LED Q'ty:</b>	18pcs 1W LED / 18pcs 3W LED / 18pcs 3in1 LED / 18pcs 4in1 LED
<b>Cable gland:</b>	Nickel plated brass PG9
<b>Driver:</b>	Constant current driver
<b>Lens:</b>	Clear, Bead, Frosted
<b>Beam Angle Options:</b>	10° 30° 45° 60° 90°
<b>Power Cable:</b>	2*1.0mm <sup>2</sup> / 4*0.75mm <sup>2</sup> / 2*1.5*3*0.5mm <sup>2</sup> VDE rubber cable
<b>Protection Class:</b>	IP68
<b>Environment:</b>	Dry / Submerged
<b>Mounting Hardware:</b>	Surface Mounted System
<b>Net Weight:</b>	3.2kgs with 1.5m cable
<b>Lifetime:</b>	>50000H

### Order information

Item code	Color	Light source(w)	Line Way	Input Voltage (v)	Operating current (mA)	Consumption (w)	Luminous flux (lm)
61091.181.01	2700-3000K	18*1	V+/V-	AC/DC24	750	18	1620
61091.181.02	4000-4500K	18*1	V+/V-	AC/DC24	750	18	1710
61091.181.03	5000-5500K	18*1	V+/V-	AC/DC24	750	18	1800
61091.181.04	6000-6500K	18*1	V+/V-	AC/DC24	750	18	1800
61091.181.05	Red	18*1	V+/V-	AC/DC24	750	18	450
61091.181.06	Green	18*1	V+/V-	AC/DC24	750	18	1080
61091.181.07	Blue	18*1	V+/V-	AC/DC24	750	18	540
61091.181.08	Yellow	18*1	V+/V-	AC/DC24	750	18	1260
61091.183.09	RGB-DMX512 (3 channel)	18*3	V+/V-/D+/D-/GND	AC/DC24	R: 500 G: 750 B: 750	R: 12 G: 18 B: 18	R: 210 G: 540 B: 240
61091.183.10	Auto changing color	18*3	V+/V-	AC24	R: 500 G: 750 B: 750	R: 12 G: 18 B: 18	R: 210 G: 540 B: 240
61091.183.12	RGBV+ (build-in CC driver)	18*3	R/G/B/V+	DC24	R: 500 G: 750 B: 750	R: 12 G: 18 B: 18	R: 210 G: 540 B: 240
61091.183.13	RGB-DMX512 (3 channel)	18*3in1	V+/V-/D+/D-/GND	AC/DC24	R: 750 G: 750 B: 750	R: 18 G: 18 B: 18	R: 450 G: 1080 B: 540
61091.184.14	RGBW-DMX512 (4 channel)	18*4in1	V+/V-/D+/D-/GND	AC/DC24	R: 750 G: 750 B: 750 W: 750	R: 18 G: 18 B: 18 W: 18	R: 450 G: 1080 B: 540 W: 1620



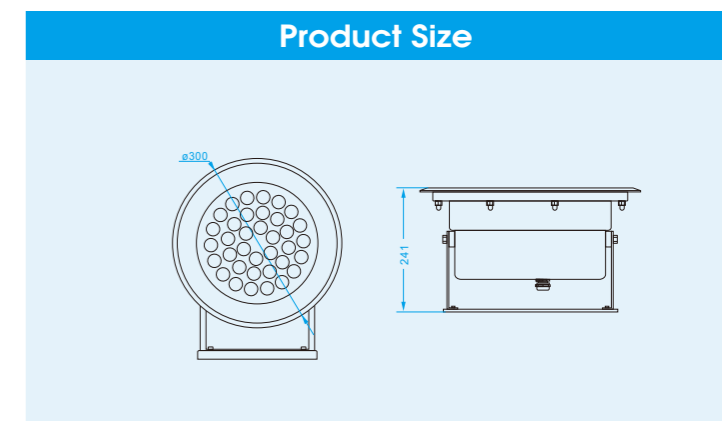


### Specification

<b>Model No.:</b>	RS-UW24X4250(61092)
<b>Front cover &amp; Housing:</b>	Stainless steel 304
<b>Dimensions:</b>	D250*H200mm(max.)
<b>Tempered Glass:</b>	8mm thickness
<b>LED chip:</b>	Epistar
<b>LED Q'ty:</b>	24pcs 1W LED / 24pcs 3W LED / 24pcs 3in1 LED
<b>Cable gland:</b>	Nickel plated brass PG9
<b>Driver:</b>	Constant current driver
<b>Lens:</b>	Clear, Bead, Frosted
<b>Beam Angle Options:</b>	10° 30° 45° 60° 90°
<b>Power Cable:</b>	2*1.0mm <sup>2</sup> / 4*0.75mm <sup>2</sup> / 2*1.5*3*0.5mm <sup>2</sup> VDE rubber cable
<b>Protection Class:</b>	IP68
<b>Environment:</b>	Dry / Submerged
<b>Mounting Hardware:</b>	Surface Mounted System
<b>Net Weight:</b>	3.6kgs with 1.5m cable
<b>Lifetime:</b>	>50000H

### Order information

Item code	Color	Light source(w)	Line Way	Input Voltage (v)	Operating current (mA)	Consumption (w)	Luminous flux (lm)
61092.241.01	2700-3000K	24*1	V+/V-	AC/DC24	1000	24	2160
61092.241.02	4000-4500K	24*1	V+/V-	AC/DC24	1000	24	2280
61092.241.03	5000-5500K	24*1	V+/V-	AC/DC24	1000	24	2400
61092.241.04	6000-6500K	24*1	V+/V-	AC/DC24	1000	24	2400
61092.241.05	Red	24*1	V+/V-	AC/DC24	1000	24	600
61092.241.06	Green	24*1	V+/V-	AC/DC24	1000	24	1440
61092.241.07	Blue	24*1	V+/V-	AC/DC24	1000	24	720
61092.241.08	Yellow	24*1	V+/V-	AC/DC24	1000	24	1680
61092.243.09	RGB-DMX512 (3 channel)	24*3	V+/V- /D+/D-/GND	AC/DC24	R: 666 G: 1000 B: 1000	R: 16 G: 24 B: 24	R: 400 G: 1440 B: 720
61092.243.10	Auto changing color	24*3	V+/V-	AC24	R: 666 G: 1000 B: 1000	R: 16 G: 24 B: 24	R: 400 G: 1440 B: 720
61092.243.12	RGBV+ (build-in CC driver)	24*3	R/G/B/V+	DC24	R: 666 G: 1000 B: 1000	R: 16 G: 24 B: 24	R: 400 G: 1440 B: 720
61092.243.13	RGB-DMX512 (3 channel)	24*3in1	V+/V- /D+/D-/GND	AC/DC24	R: 1000 G: 1000 B: 1000	R: 24 G: 24 B: 24	R: 600 G: 1440 B: 720
61092.244.14	RGBW-DMX512 (4 channel)	24*4in1	V+/V- /D+/D-/GND	AC/DC24	R: 1000 G: 1000 B: 1000 W: 1000	R: 24 G: 24 B: 24 W: 24	R: 600 G: 1440 B: 720 W: 2160

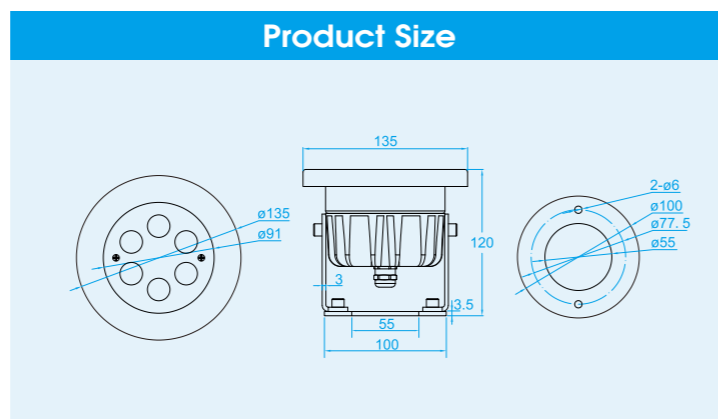


### Specification

<b>Model No.:</b>	RS-UW36X4300(61101)
<b>Front cover &amp; Housing:</b>	Stainless steel 304
<b>Dimensions:</b>	D300*H241mm
<b>Tempered Glass:</b>	8mm thickness
<b>LED chip:</b>	Epistar
<b>LED Q'ty:</b>	36pcs 1W LED / 36pcs 3W LED / 36pcs 3in1 LED
<b>Cable gland:</b>	Nickel plated brass PG9
<b>Driver:</b>	Constant current driver
<b>Lens:</b>	Clear, Bead, Frosted
<b>Beam Angle Options:</b>	10° 30° 45° 60° 90°
<b>Power Cable:</b>	2*1.0mm <sup>2</sup> / 4*0.75mm <sup>2</sup> / 2*1.5*3*0.5mm <sup>2</sup> VDE rubber cable
<b>Protection Class:</b>	IP68
<b>Environment:</b>	Dry / Submerged
<b>Mounting Hardware:</b>	Surface Mounted System
<b>Net Weight:</b>	4.0kgs with 1.5m cable
<b>Lifetime:</b>	>50000H

### Order information

Item code	Color	Light source(w)	Line Way	Input Voltage (v)	Operating current (mA)	Consumption (w)	Luminous flux (lm)
61101.361.01	2700-3000K	36*1	V+/V-	AC/DC24	1500	36	3240
61101.361.02	4000-4500K	36*1	V+/V-	AC/DC24	1500	36	3420
61101.361.03	5000-5500K	36*1	V+/V-	AC/DC24	1500	36	3600
61101.361.04	6000-6500K	36*1	V+/V-	AC/DC24	1500	36	3600
61101.361.05	Red	36*1	V+/V-	AC/DC24	1500	36	900
61101.361.06	Green	36*1	V+/V-	AC/DC24	1500	36	2160
61101.361.07	Blue	36*1	V+/V-	AC/DC24	1500	36	1080
61101.361.08	Yellow	36*1	V+/V-	AC/DC24	1500	36	2520
61101.363.09	RGB-DMX512 (3 channel)	36*3	V+/V- /D+/D-/GND	AC/DC24	R: 1000 G: 1500 B: 1500	R: 24 G: 36 B: 36	R: 600 G: 2160 B: 1080
61101.363.10	Auto changing color	36*3	V+/V-	AC24	R: 1000 G: 1500 B: 1500	R: 24 G: 36 B: 36	R: 600 G: 2160 B: 1080
61101.363.12	RGBV+ (build-in CC driver)	36*3	R/G/B/V+	DC24	R: 1000 G: 1500 B: 1500	R: 24 G: 36 B: 36	R: 600 G: 2160 B: 1080
61101.363.13	RGB-DMX512 (3 channel)	36*3in1	V+/V- /D+/D-/GND	AC/DC24	R: 1500 G: 1500 B: 1500	R: 36 G: 36 B: 36	R: 900 G: 2160 B: 1080

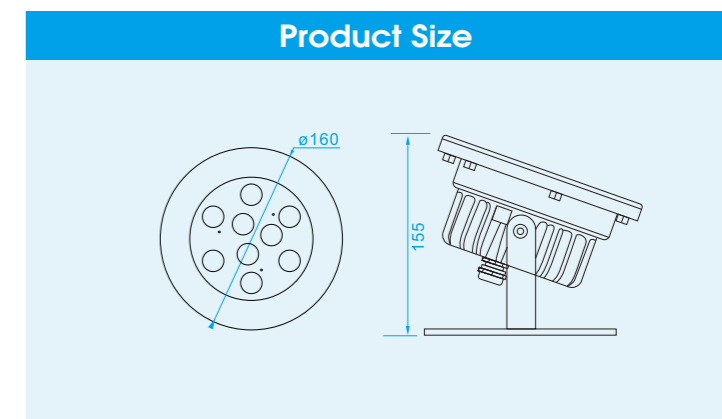


### Specification

<b>Model No.:</b>	RS-UW6X4137(61056)
<b>Front cover &amp; Housing:</b>	Stainless steel 304+Aluminum heatsink
<b>Dimensions:</b>	D135*H120mm
<b>Tempered Glass:</b>	5mm thickness
<b>LED chip:</b>	Epistar
<b>LED Q'ty:</b>	6pcs 1W LED / 6pcs 3W LED / 6pcs 3in1 LED
<b>Cable gland:</b>	Nickel plated brass PG9
<b>Driver:</b>	Constant current driver
<b>Lens:</b>	Clear, Bead, Frosted
<b>Beam Angle Options:</b>	10° 30° 45° 60° 90°
<b>Power Cable:</b>	2*1.0mm <sup>2</sup> / 4*0.75mm <sup>2</sup> / 2*1.5*3*0.5mm <sup>2</sup> VDE rubber cable
<b>Protection Class:</b>	IP68
<b>Environment:</b>	Dry / Submerged
<b>Mounting Hardware:</b>	Surface Mounted System
<b>Net Weight:</b>	1.7kgs with 1.5m cable
<b>Lifetime:</b>	>50000H

### Order information

Item code	Color	Light source(w)	Line Way	Input Voltage (v)	Operating current (mA)	Consumption (w)	Luminous flux (lm)
61056.061.01	2700-3000K	6*1	V+/V-	AC/DC12-24	500 / 250	6	540
61056.061.02	4000-4500K	6*1	V+/V-	AC/DC12-24	500 / 250	6	570
61056.061.03	5000-5500K	6*1	V+/V-	AC/DC12-24	500 / 250	6	600
61056.061.04	6000-6500K	6*1	V+/V-	AC/DC12-24	500 / 250	6	600
61056.061.05	Red	6*1	V+/V-	AC/DC12-24	500 / 250	6	150
61056.061.06	Green	6*1	V+/V-	AC/DC12-24	500 / 250	6	360
61056.061.07	Blue	6*1	V+/V-	AC/DC12-24	500 / 250	6	180
61056.061.08	Yellow	6*1	V+/V-	AC/DC12-24	500 / 250	6	420
61056.063.09	RGB-DMX512 (3 channel)	6*3	V+/V- /D+/D-/GND	AC/DC12-24	R: 333 / 166 B: 500 / 250	R: 4 B: 6	R: 70 B: 80
61056.063.10	Auto changing color	6*3	V+/V-	AC12-24	R: 333 / 166 B: 500 / 250	R: 4 B: 6	R: 70 B: 80
61056.063.12	RGBV+ (build-in CC driver)	6*3	R/G/B/V+	DC12-24	R: 333 / 166 B: 500 / 250	R: 4 B: 6	R: 70 B: 80
61056.063.13	RGB-DMX512 (3 channel)	6*3in1	V+/V- /D+/D-/GND	AC/DC12-24	R: 500 / 250 B: 500 / 250	R: 6 B: 6	R: 150 B: 180



### Specification

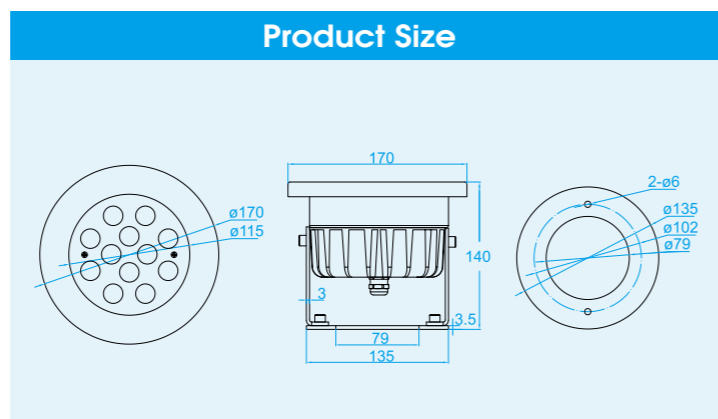
<b>Model No.:</b>	RS-UW9X4161(61067)
<b>Front cover &amp; Housing:</b>	Stainless steel 304+Aluminum heatsink
<b>Dimensions:</b>	D160*H155mm
<b>Tempered Glass:</b>	5mm thickness
<b>LED chip:</b>	Epistar
<b>LED Q'ty:</b>	9pcs 1W LED / 9pcs 3W LED / 9pcs 3in1 LED
<b>Cable gland:</b>	Nickel plated brass PG9
<b>Driver:</b>	Constant current driver
<b>Lens:</b>	Clear, Bead, Frosted
<b>Beam Angle Options:</b>	10° 30° 45° 60° 90°
<b>Power Cable:</b>	2*1.0mm <sup>2</sup> / 4*0.75mm <sup>2</sup> / 2*1.5*3*0.5mm <sup>2</sup> VDE rubber cable
<b>Protection Class:</b>	IP68
<b>Environment:</b>	Dry / Submerged
<b>Mounting Hardware:</b>	Surface Mounted System
<b>Net Weight:</b>	2.0kgs with 1.5m cable
<b>Lifetime:</b>	>50000H

### Order information

Item code	Color	Light source(w)	Line Way	Input Voltage (v)	Operating current (mA)	Consumption (w)	Luminous flux (lm)
61067.091.01	2700-3000K	9*1	V+/V-	AC/DC12-24	750 / 375	9	810
61067.091.02	4000-4500K	9*1	V+/V-	AC/DC12-24	750 / 375	9	855
61067.091.03	5000-5500K	9*1	V+/V-	AC/DC12-24	750 / 375	9	900
61067.091.04	6000-6500K	9*1	V+/V-	AC/DC12-24	750 / 375	9	900
61067.091.05	Red	9*1	V+/V-	AC/DC12-24	750 / 375	9	225
61067.091.06	Green	9*1	V+/V-	AC/DC12-24	750 / 375	9	540
61067.091.07	Blue	9*1	V+/V-	AC/DC12-24	750 / 375	9	270
61067.091.08	Yellow	9*1	V+/V-	AC/DC12-24	750 / 375	9	630
61067.093.09	RGB-DMX512 (3 channel)	9*3	V+/V- /D+/D-/GND	AC/DC12-24	R: 500 / 250 B: 750 / 375	R: 6 B: 9	R: 105 B: 120
61067.093.10	Auto changing color	9*3	V+/V-	AC12-24	R: 500 / 250 B: 750 / 375	R: 6 B: 9	R: 105 B: 120
61067.093.12	RGBV+ (build-in CC driver)	9*3	R/G/B/V+	DC12-24	R: 500 / 250 B: 750 / 375	R: 6 B: 9	R: 105 B: 120
61067.093.13	RGB-DMX512 (3 channel)	9*3in1	V+/V- /D+/D-/GND	AC/DC12-24	R: 700 / 375 B: 700 / 375	R: 9 B: 9	R: 225 B: 270





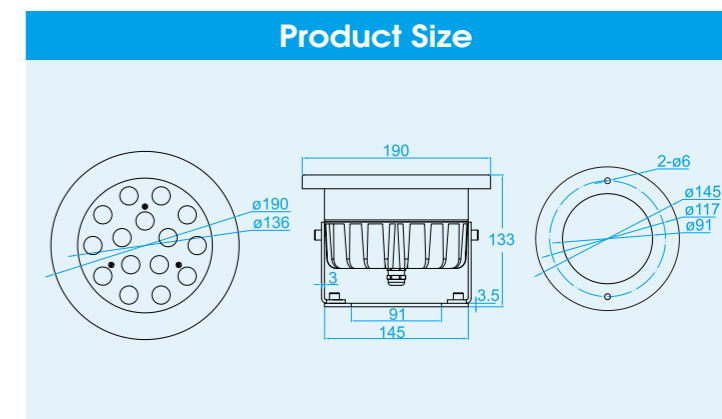


### Specification

<b>Model No.:</b>	RS-UW12X4171(61077)
<b>Front cover &amp; Housing:</b>	Stainless steel 304+Aluminum heatsink
<b>Dimensions:</b>	D170*H140mm
<b>Tempered Glass:</b>	5mm thickness
<b>LED chip:</b>	Epistar
<b>LED Q'ty:</b>	12pcs 1W LED / 12pcs 3W LED / 12pcs 3in1 LED
<b>Cable gland:</b>	Nickel plated brass PG9
<b>Driver:</b>	Constant current driver
<b>Lens:</b>	Clear, Bead, Frosted
<b>Beam Angle Options:</b>	10° 30° 45° 60° 90°
<b>Power Cable:</b>	2*1.0mm <sup>2</sup> / 4*0.75mm <sup>2</sup> / 2*1.5+3*0.5mm <sup>2</sup> VDE rubber cable
<b>Protection Class:</b>	IP68
<b>Environment:</b>	Dry / Submerged
<b>Mounting Hardware:</b>	Surface Mounted System
<b>Net Weight:</b>	2.4kgs with 1.5m cable
<b>Lifetime:</b>	>50000H

### Order information

Item code	Color	Light source(w)	Line Way	Input Voltage (v)	Operating current (mA)	Consumption (w)	Luminous flux (lm)
61077.121.01	2700-3000K	12*1	V+/V-	AC/DC12-24	1000 / 500	12	1080
61077.121.02	4000-4500K	12*1	V+/V-	AC/DC12-24	1000 / 500	12	1140
61077.121.03	5000-5500K	12*1	V+/V-	AC/DC12-24	1000 / 500	12	1200
61077.121.04	6000-6500K	12*1	V+/V-	AC/DC12-24	1000 / 500	12	1200
61077.121.05	Red	12*1	V+/V-	AC/DC12-24	1000 / 500	12	300
61077.121.06	Green	12*1	V+/V-	AC/DC12-24	1000 / 500	12	720
61077.121.07	Blue	12*1	V+/V-	AC/DC12-24	1000 / 500	12	360
61077.121.08	Yellow	12*1	V+/V-	AC/DC12-24	1000 / 500	12	840
61077.123.09	RGB-DMX512 (3 channel)	12*3	V+/V- / D+ / D- / GND	AC/DC12-24	R: 666 / 333 B: 1000 / 500 G: 1000 / 500	R: 8 B: 12 G: 12	R: 140 B: 160 G: 360
61077.123.10	Auto changing color	12*3	V+/V-	AC12-24	R: 666 / 333 B: 1000 / 500 G: 1000 / 500	R: 8 B: 12 G: 12	R: 140 B: 160 G: 360
61077.123.12	RGBV+ (build-in CC driver)	12*3	R/G/B/V+	DC12-24	R: 666 / 333 B: 1000 / 500 G: 1000 / 500	R: 8 B: 12 G: 12	R: 140 B: 160 G: 360



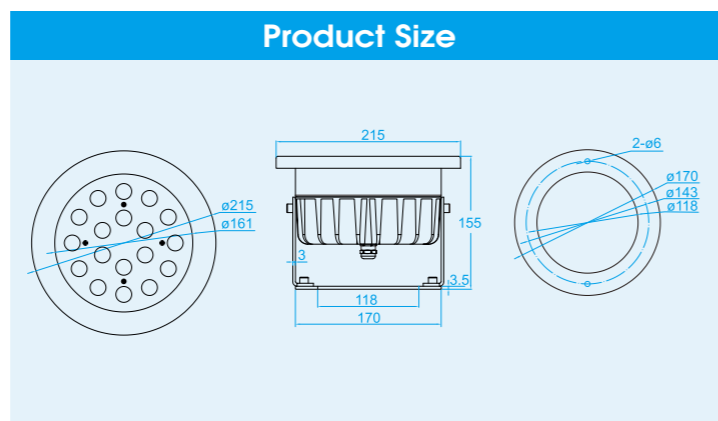
### Specification

<b>Model No.:</b>	RS-UW15X4191(61083)
<b>Front cover &amp; Housing:</b>	Stainless steel 304+Aluminum heatsink
<b>Dimensions:</b>	D190*H133mm
<b>Tempered Glass:</b>	5mm thickness
<b>LED chip:</b>	Epistar
<b>LED Q'ty:</b>	15pcs 1W LED / 15pcs 3W LED / 15pcs 3in1 LED
<b>Cable gland:</b>	Nickel plated brass PG9
<b>Driver:</b>	Constant current driver
<b>Lens:</b>	Clear, Bead, Frosted
<b>Beam Angle Options:</b>	10° 30° 45° 60° 90°
<b>Power Cable:</b>	2*1.0mm <sup>2</sup> / 4*0.75mm <sup>2</sup> / 2*1.5+3*0.5mm <sup>2</sup> VDE rubber cable
<b>Protection Class:</b>	IP68
<b>Environment:</b>	Dry / Submerged
<b>Mounting Hardware:</b>	Surface Mounted System
<b>Net Weight:</b>	3.0kgs with 1.5m cable
<b>Lifetime:</b>	>50000H

### Order information

Item code	Color	Light source(w)	Line Way	Input Voltage (v)	Operating current (mA)	Consumption (w)	Luminous flux (lm)
61083.151.01	2700-3000K	15*1	V+/V-	AC/DC24	625	15	1350
61083.151.02	4000-4500K	15*1	V+/V-	AC/DC24	625	15	1425
61083.151.03	5000-5500K	15*1	V+/V-	AC/DC24	625	15	1500
61083.151.04	6000-6500K	15*1	V+/V-	AC/DC24	625	15	1500
61083.151.05	Red	15*1	V+/V-	AC/DC24	625	15	375
61083.151.06	Green	15*1	V+/V-	AC/DC24	625	15	900
61083.151.07	Blue	15*1	V+/V-	AC/DC24	625	15	450
61083.151.08	Yellow	15*1	V+/V-	AC/DC24	625	15	1350
61083.153.09	RGB-DMX512 (3 channel)	15*3	V+/V- / D+ / D- / GND	AC/DC24	R: 416 B: 625 G: 625	R: 10 B: 15 G: 15	R: 175 B: 200 G: 450
61083.153.10	Auto changing color	15*3	V+/V-	AC24	R: 416 B: 625 G: 625	R: 10 B: 15 G: 15	R: 175 B: 200 G: 450
61083.153.12	RGBV+ (build-in CC driver)	15*3	R/G/B/V+	DC24	R: 416 B: 625 G: 625	R: 10 B: 15 G: 15	R: 175 B: 200 G: 450
61083.153.13	RGB-DMX512 (3 channel)	15*3in1	V+/V- / D+ / D- / GND	AC/DC24	R: 625 B: 625 G: 625	R: 15 B: 15 G: 15	R: 375 B: 450 G: 900



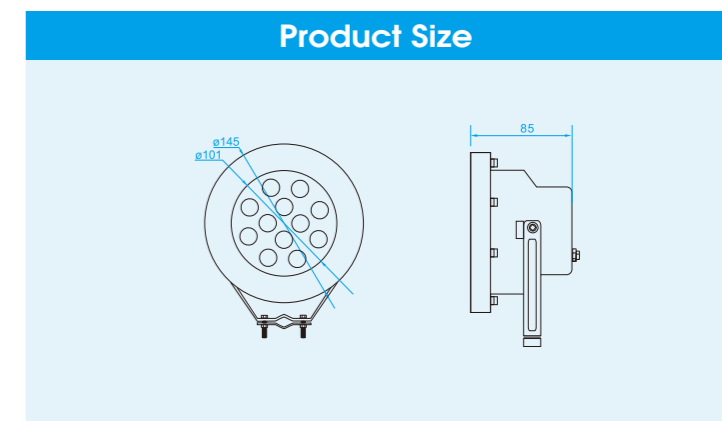


Specification

<b>Model No.:</b>	RS-UW18X4216(61084)
<b>Front cover &amp; Housing:</b>	Stainless steel 304+Aluminum heatsink
<b>Dimensions:</b>	D215*H155mm
<b>Tempered Glass:</b>	5mm thickness
<b>LED chip:</b>	Epistar
<b>LED Q'ty:</b>	18pcs 1W LED / 18pcs 3W LED / 18pcs 3in1 LED
<b>Cable gland:</b>	Nickel plated brass PG9
<b>Driver:</b>	Constant current driver
<b>Lens:</b>	Clear, Bead, Frosted
<b>Beam Angle Options:</b>	10° 30° 45° 60° 90°
<b>Power Cable:</b>	2*1.0mm <sup>2</sup> / 4*0.75mm <sup>2</sup> / 2*1.5*3*0.5mm <sup>2</sup> VDE rubber cable
<b>Protection Class:</b>	IP68
<b>Environment:</b>	Dry / Submerged
<b>Mounting Hardware:</b>	Surface Mounted System
<b>Net Weight:</b>	3.7kgs with 1.5m cable
<b>Lifetime:</b>	>50000H

Order information

Item code	Color	Light source(w)	Line Way	Input Voltage (v)	Operating current (mA)	Consumption (w)	Luminous flux (lm)
61084.181.01	2700-3000K	18*1	V+/V-	AC/DC24	750	18	1620
61084.181.02	4000-4500K	18*1	V+/V-	AC/DC24	750	18	1710
61084.181.03	5000-5500K	18*1	V+/V-	AC/DC24	750	18	1800
61084.181.04	6000-6500K	18*1	V+/V-	AC/DC24	750	18	1800
61084.181.05	Red	18*1	V+/V-	AC/DC24	750	18	450
61084.181.06	Green	18*1	V+/V-	AC/DC24	750	18	1080
61084.181.07	Blue	18*1	V+/V-	AC/DC24	750	18	540
61084.181.08	Yellow	18*1	V+/V-	AC/DC24	750	18	1260
61084.183.09	RGB-DMX512 (3 channel)	18*3	V+/V- /D+/D-/GND	AC/DC24	R: 500 B: 750 G: 750	R: 12 B: 18 G: 18	R: 210 B: 240 G: 540
61084.183.10	Auto changing color	18*3	V+/V-	AC24	R: 500 B: 750 G: 750	R: 12 B: 18 G: 18	R: 210 B: 240 G: 540
61084.183.12	RGBV+ (build-in CC driver)	18*3	R/G/B/V+	DC24	R: 500 B: 750 G: 750	R: 12 B: 18 G: 18	R: 210 B: 240 G: 540
61084.183.13	RGB-DMX512 (3 channel)	18*3in1	V+/V- /D+/D-/GND	AC/DC24	R: 750 B: 750 G: 750	R: 18 B: 18 G: 18	R: 450 B: 540 G: 1080



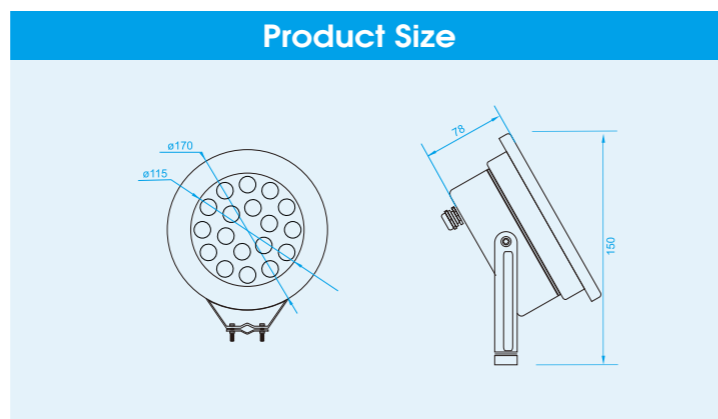
Specification

<b>Model No.:</b>	RS-UW12X4145(61066)
<b>Front cover &amp; Housing:</b>	Stainless steel 304
<b>Dimensions:</b>	D145*W85mm
<b>Tempered Glass:</b>	5mm thickness
<b>LED chip:</b>	Epistar
<b>LED Q'ty:</b>	12pcs 1W LED / 12pcs 3W LED / 12pcs 3in1 LED
<b>Cable gland:</b>	Nickel plated brass PG9
<b>Driver:</b>	Constant current driver
<b>Lens:</b>	Clear, Bead, Frosted
<b>Beam Angle Options:</b>	10° 30° 45° 60° 90°
<b>Power Cable:</b>	2*1.0mm <sup>2</sup> / 4*0.75mm <sup>2</sup> / 2*1.5*3*0.5mm <sup>2</sup> VDE rubber cable
<b>Protection Class:</b>	IP68
<b>Environment:</b>	Dry / Submerged
<b>Mounting Hardware:</b>	Surface Mounted System
<b>Net Weight:</b>	1.2kgs with 1.5m cable
<b>Lifetime:</b>	>50000H

Order information

Item code	Color	Light source(w)	Line Way	Input Voltage (v)	Operating current (mA)	Consumption (w)	Luminous flux (lm)
61066.121.01	2700-3000K	12*1	V+/V-	AC/DC12-24	1000 / 500	12	1080
61066.121.02	4000-4500K	12*1	V+/V-	AC/DC12-24	1000 / 500	12	1140
61066.121.03	5000-5500K	12*1	V+/V-	AC/DC12-24	1000 / 500	12	1200
61066.121.04	6000-6500K	12*1	V+/V-	AC/DC12-24	1000 / 500	12	1200
61066.121.05	Red	12*1	V+/V-	AC/DC12-24	1000 / 500	12	300
61066.121.06	Green	12*1	V+/V-	AC/DC12-24	1000 / 500	12	720
61066.121.07	Blue	12*1	V+/V-	AC/DC12-24	1000 / 500	12	360
61066.121.08	Yellow	12*1	V+/V-	AC/DC12-24	1000 / 500	12	840
61066.123.09	RGB-DMX512 (3 channel)	12*3	V+/V- /D+/D-/GND	AC/DC12-24	R: 666 / 333 B: 1000 / 500 G: 1000 / 500	R: 8 B: 12 G: 12	R: 140 B: 160 G: 360
61066.123.10	Auto changing color	12*3	V+/V-	AC12-24	R: 666 / 333 B: 1000 / 500 G: 1000 / 500	R: 8 B: 12 G: 12	R: 140 B: 160 G: 360
61066.123.12	RGBV+ (build-in CC driver)	12*3	R/G/B/V+	DC12-24	R: 666 / 333 B: 1000 / 500 G: 1000 / 500	R: 8 B: 12 G: 12	R: 140 B: 160 G: 360
61066.123.13	RGB-DMX512 (3 channel)	12*3in1	V+/V- /D+/D-/GND	AC/DC12-24	R: 1000 / 500 B: 1000 / 500 G: 1000 / 500	R: 12 B: 12 G: 12	R: 300 B: 360 G: 720



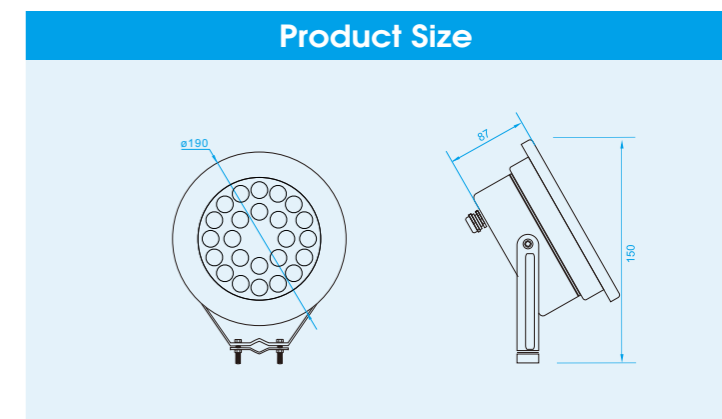


### Specification

<b>Model No.:</b>	RS-UW18X4170(61075)
<b>Front cover &amp; Housing:</b>	Stainless steel 304
<b>Dimensions:</b>	D170*W78mm
<b>Tempered Glass:</b>	5mm thickness
<b>LED chip:</b>	Epistar
<b>LED Q'ty:</b>	18pcs 1W LED / 18pcs 3W LED / 18pcs 3in1 LED
<b>Cable gland:</b>	Nickel plated brass PG9
<b>Driver:</b>	Constant current driver
<b>Lens:</b>	Clear, Bead, Frosted
<b>Beam Angle Options:</b>	10° 30° 45° 60° 90°
<b>Power Cable:</b>	2*1.0mm <sup>2</sup> / 4*0.75mm <sup>2</sup> / 2*1.5*3*0.5mm <sup>2</sup> VDE rubber cable
<b>Protection Class:</b>	IP68
<b>Environment:</b>	Dry / Submerged
<b>Mounting Hardware:</b>	Surface Mounted System
<b>Net Weight:</b>	1.5kgs with 1.5m cable
<b>Lifetime:</b>	>50000H

### Order information

Item code	Color	Light source(w)	Line Way	Input Voltage (v)	Operating current (mA)	Consumption (w)	Luminous flux (lm)
61075.181.01	2700-3000K	18*1	V+/V-	AC/DC24	750	18	1620
61075.181.02	4000-4500K	18*1	V+/V-	AC/DC24	750	18	1710
61075.181.03	5000-5500K	18*1	V+/V-	AC/DC24	750	18	1800
61075.181.04	6000-6500K	18*1	V+/V-	AC/DC24	750	18	1800
61075.181.05	Red	18*1	V+/V-	AC/DC24	750	18	450
61075.181.06	Green	18*1	V+/V-	AC/DC24	750	18	1080
61075.181.07	Blue	18*1	V+/V-	AC/DC24	750	18	540
61075.181.08	Yellow	18*1	V+/V-	AC/DC24	750	18	1260
61075.183.09	RGB-DMX512 (3 channel)	18*3	V+/V- /D+/D-/GND	AC/DC24	R: 500 B: 750 G: 750	R: 12 B: 18 G: 18	R: 210 B: 240 G: 540
61075.183.10	Auto changing color	18*3	V+/V-	AC24	R: 500 B: 750 G: 750	R: 12 B: 18 G: 18	R: 210 B: 240 G: 540
61075.183.12	RGBV+ (build-in CC driver)	18*3	R/G/B/V+	DC24	R: 500 B: 750 G: 750	R: 12 B: 18 G: 18	R: 210 B: 240 G: 540
61075.183.13	RGB-DMX512 (3 channel)	18*3in1	V+/V- /D+/D-/GND	AC/DC24	R: 750 B: 750 G: 750	R: 18 B: 18 G: 18	R: 450 B: 540 G: 1080



### Specification

<b>Model No.:</b>	RS-UW24X4190(61076)
<b>Front cover &amp; Housing:</b>	Stainless steel 304
<b>Dimensions:</b>	D190*W87mm
<b>Tempered Glass:</b>	5mm thickness
<b>LED chip:</b>	Epistar
<b>LED Q'ty:</b>	24pcs 1W LED / 24pcs 3W LED / 24pcs 3in1 LED
<b>Cable gland:</b>	Nickel plated brass PG9
<b>Driver:</b>	Constant current driver
<b>Lens:</b>	Clear, Bead, Frosted
<b>Beam Angle Options:</b>	10° 30° 45° 60° 90°
<b>Power Cable:</b>	2*1.0mm <sup>2</sup> / 4*0.75mm <sup>2</sup> / 2*1.5*3*0.5mm <sup>2</sup> VDE rubber cable
<b>Protection Class:</b>	IP68
<b>Environment:</b>	Dry / Submerged
<b>Mounting Hardware:</b>	Surface Mounted System
<b>Net Weight:</b>	1.8kgs with 1.5m cable
<b>Lifetime:</b>	>50000H

### Order information

Item code	Color	Light source(w)	Line Way	Input Voltage (v)	Operating current (mA)	Consumption (w)	Luminous flux (lm)
61076.241.01	2700-3000K	24*1	V+/V-	AC/DC24	1000	24	2160
61076.241.02	4000-4500K	24*1	V+/V-	AC/DC24	1000	24	2280
61076.241.03	5000-5500K	24*1	V+/V-	AC/DC24	1000	24	2400
61076.241.04	6000-6500K	24*1	V+/V-	AC/DC24	1000	24	2400
61076.241.05	Red	24*1	V+/V-	AC/DC24	1000	24	600
61076.241.06	Green	24*1	V+/V-	AC/DC24	1000	24	1440
61076.241.07	Blue	24*1	V+/V-	AC/DC24	1000	24	720
61076.241.08	Yellow	24*1	V+/V-	AC/DC24	1000	24	1680
61076.243.09	RGB-DMX512 (3 channel)	24*3	V+/V- /D+/D-/GND	AC/DC24	R: 666 B: 1000 G: 1000	R: 16 B: 24 G: 24	R: 400 B: 720 G: 1440
61076.243.10	Auto changing color	24*3	V+/V-	AC24	R: 666 B: 1000 G: 1000	R: 16 B: 24 G: 24	R: 400 B: 720 G: 1440
61076.243.12	RGBV+ (build-in CC driver)	24*3	R/G/B/V+	DC24	R: 666 B: 1000 G: 1000	R: 16 B: 24 G: 24	R: 400 B: 720 G: 1440
61076.243.13	RGB-DMX512 (3 channel)	24*3in1	V+/V- /D+/D-/GND	AC/DC24	R: 1000 B: 1000 G: 1000	R: 24 B: 24 G: 24	R: 600 B: 720 G: 1440

